

Welding immune inductive sensors **LR12X** series

**Features**

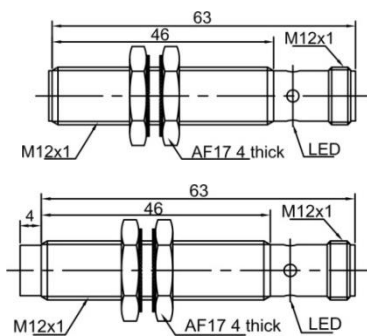
- ◆ Flexible specifications optional for various applications;
- ◆ PTFE housing design, effective protection;
- ◆ Lanbao patent technology;
- ◆ Perfect choice for soldering application.


**Part number**

NPN NO	LR12XBF02DNOA-E2	LR12XBN04DNOA-E2	PNP NO	LR12XBF02DPOA-E2	LR12XBN04DPOA-E2
NPN NC	LR12XBF02DNCA-E2	LR12XBN04DNCA-E2	PNP NC	LR12XBF02DPCA-E2	LR12XBN04DPCA-E2

**Technical specifications**

Mounting	Flush	Non-flush	Current consumption	≤15mA
Rated distance [Sn]	2mm	4mm	Circuit protection	Short-circuit, overload and reverse polarity
Assured distance [Sa]	0...1.6mm	0...3.2mm	Output indicator	Yellow LED
Dimensions	M12*63mm	M12*67mm	Ambient temperature	-25°C...70°C
Output	NO/NC(depends on part number)		Anti magnetic interference	100mT
Supply voltage	10...30 VDC		Switching frequency [F]	3000 Hz                      2000 Hz
Standard target	Fe 12*12*1t	Fe 12*12*1t	Voltage withstand	1000V/AC 50/60Hz 60s
Switch-point drifts [%/Sr]	≤±10%		Insulation resistance	≥50MΩ(500VDC)
Hysteresis range [%/Sr]	1...20%		Vibration resistance	10...50Hz (1.5mm)
Repeat accuracy [R]	≤3%		Degree of protection	IP67
Load current	≤200mA		Housing material	Nickel-copper alloy coated with PTFE
Residual voltage	≤2.5V		Connection type	M12 connector

**Dimensions**

**Wiring diagram**
